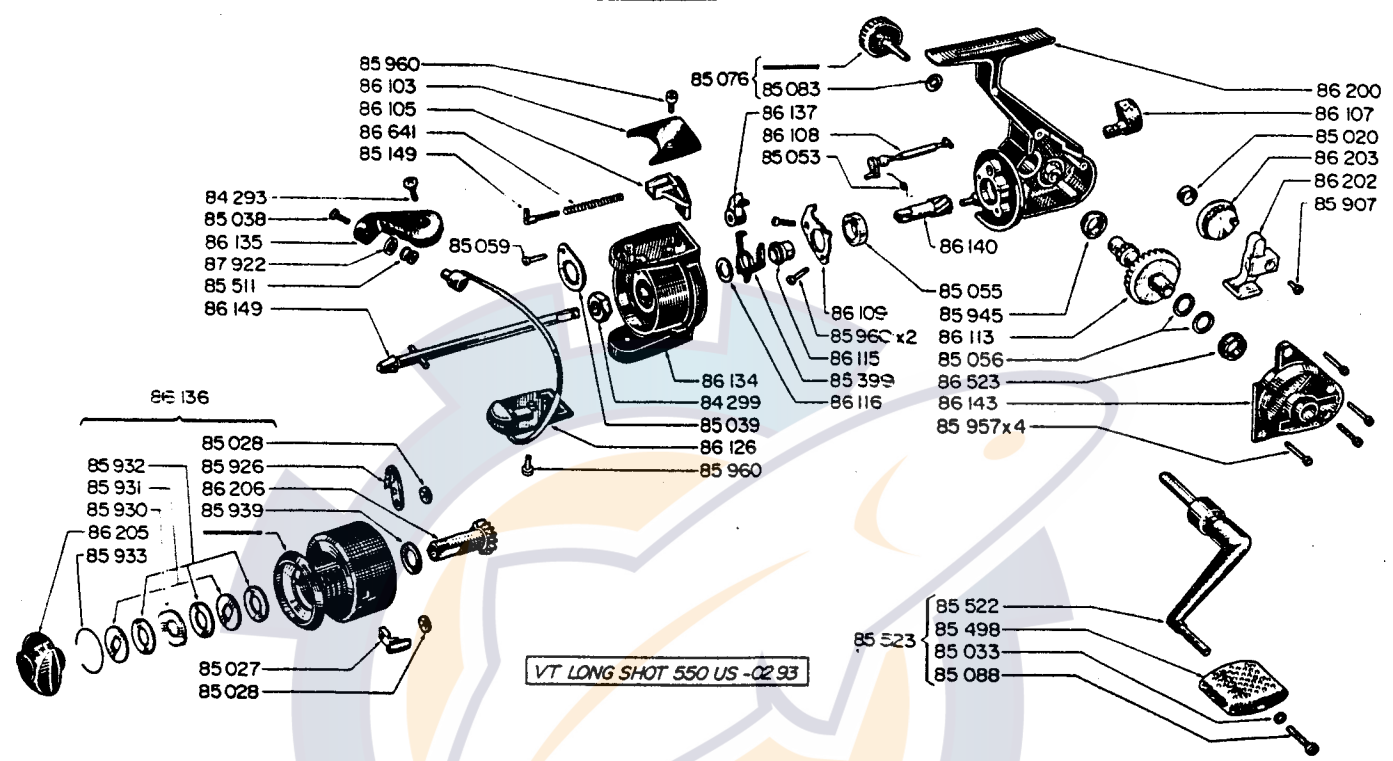


# MITCHELL®

## 550 Long Shot



Part No.	Description
8429300	BAIL ARM SCREW
8429900	ROTATING HEAD HEX NUT
8502000	CROSS WIND BUSHING
8502700	LINE CLIP
8502800	RETAINING CLIP
8503300	HANDLE KNOB WASHER
8503800	LINE GUIDE SCREW
8503900	HEX NUT LOCKING RING
8505300	ANTI-REVERSE SHAFT SPRING
8505500	BALL BEARING
8505600	SHIM - DRIVE GEAR
8505900	MOUNTING SCREW
8507600	HANDLE CAP SCREW W/ WASHER
8508300	CAP SCREW WASHER
8508800	HANDLE KNOB SCREW
8514900	BAIL SPRING PIN
8539900	ANTI-REVERSE FRICTION
8549800	HANDLE KNOB
8551100	LINE GUIDE
8552200	HANDLE ARM
8552300	HANDLE
8590700	OSCILLATION SLIDE SCREW
8592600	SPOOL CLICK
8593000	EARED DRAG WASHER
8593100	KEYED DRAG WASHER
8593200	DRAG WASHER
8593300	DRAG RETAINER

Part No.	Description
8593900	BASE DRAG WASHER
8594500	HOUSING BUSHING
8595700	SIDE PLATE SCREW
8596000	RETAINING SCREW
8610300	COVER PLATE N1
8610500	TRIP LEVER
8610700	ANTI-REVERSE BUTTON
8610800	ANTI-REVERSE SHAFT
8610900	BEARING RETAINER
8611300	DRIVE GEAR
8611500	AR FRICTION BUSHING
8611600	AR FRICTION WASHER
8612600	BAIL WIRE W/ COVER PLATE
8613400	ROTATING HEAD
8613500	BAIL ARM
8613600	SPOOL
8613700	ANTI-REVERSE DOG
8614000	PINION GEAR
8614300	SIDE PLATE
8614900	AXLE
8620000	HOUSING
8620200	OSCILLATION SLIDE
8620300	CROSS WIND GEAR
8620500	DRAG KNOB
8620600	SPOOL SPINDLE
8664100	BAIL SPRING
8792200	LINE GUIDE RACE